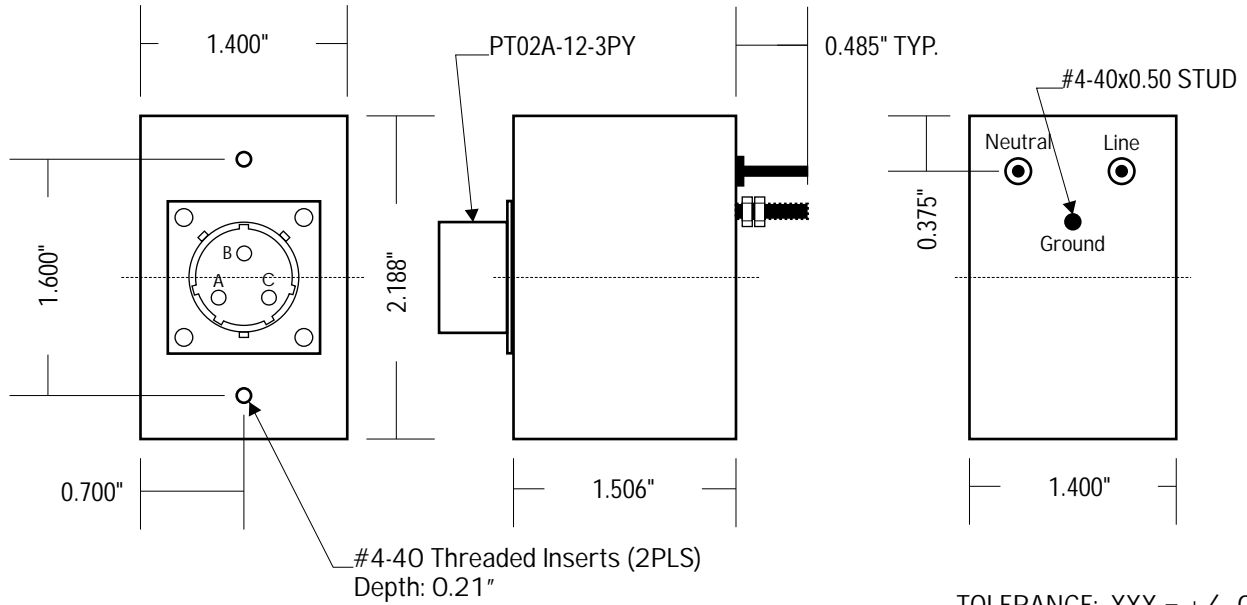


PLF-289

HIGH ATTENUATION POWER ENTRY MODULE

REV	DATE
A	02-13-06



OUTLINE DRAWING

Line Current: 3 Amps

Line Voltage: 110/220 VAC

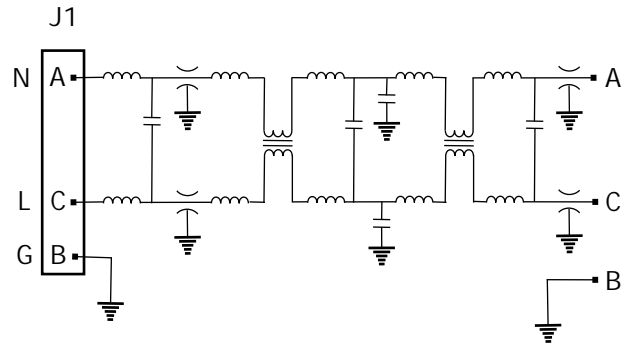
Leakage Current: 3 mA Max. @ 220 Vac., 50Hz

Line Frequency: 50-400Hz

ATTENUATION		
FREQUENCY	TYPICAL	MINIMUM
50 KHz	50 dB	44 dB
75 KHz	61 dB	55 dB
150 KHz	80 dB	72 dB
300 KHz	>85 dB	80 dB
1 Mhz	>95 dB	95 dB
500 Mhz	>90 dB	90 dB
1 GHz	>80 dB	85 dB

SPECIFICATIONS

C = Line
A = Neutral
B = Ground



FUNCTIONAL DIAGRAM