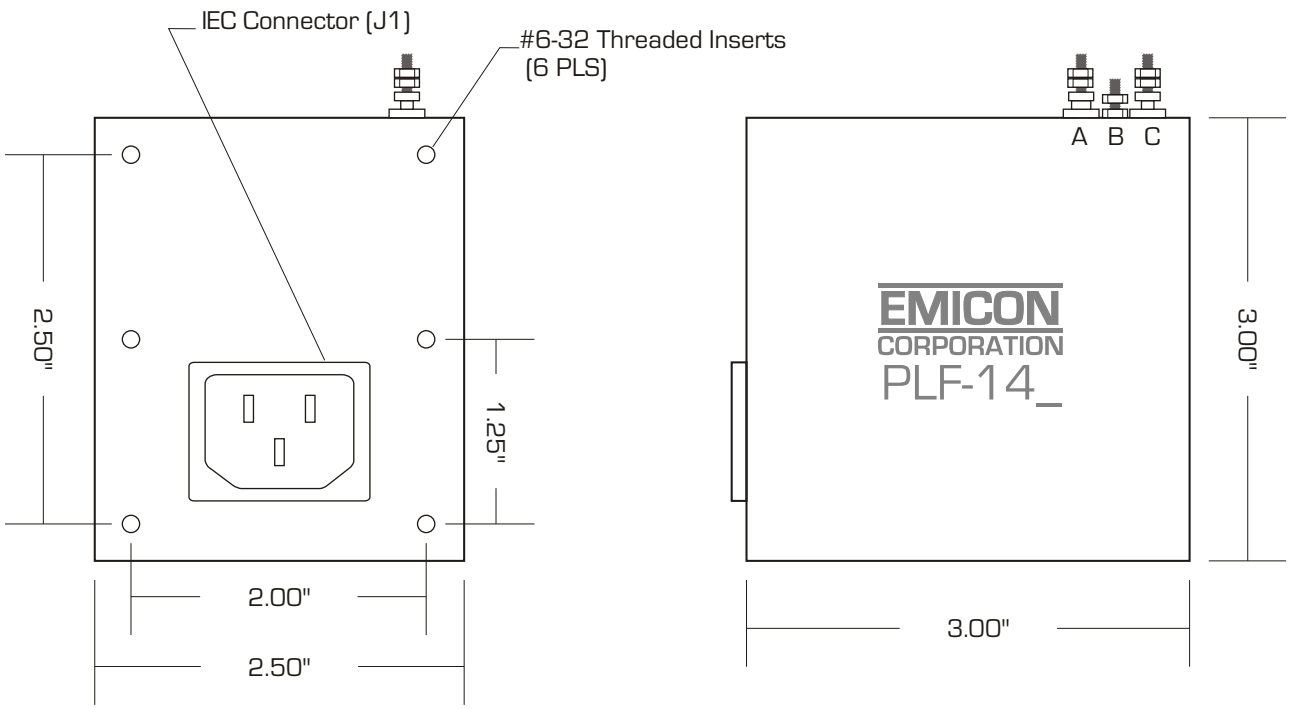


PLF-140,141,142,142

LOW LEAKAGE CURRENT POWER ENTRY MODULE

REV	DATE	DESCRIPTION
A		



OUTLINE DRAWING

EMICON P/N: PLF-140,141,142,143

Line Current
 PLF-140: 5 Amps
 PLF-141: 10 Amps
 PLF-142: 15 Amps
 PLF-143: 20 Amps

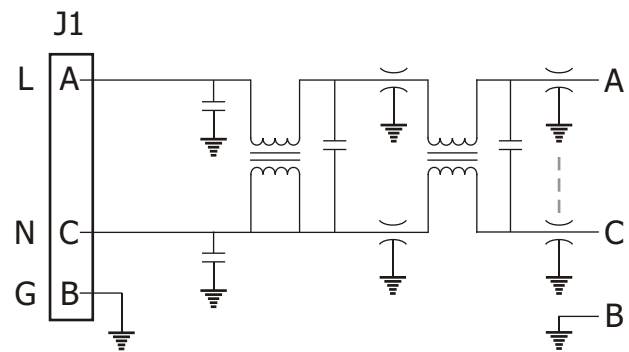
Line Voltage: 110/220 V_{AC}

Line Frequency: 50/60Hz

Leakage Current: 5 mA Max. @ 110 V
 10 mA Max. @ 220 V

COMMON MODE ATTENUATION				
FREQ.	50 Khz	100 Khz	200 Khz	500 Khz
P/N				- 1GHz
PLF-140	50 dB	76 dB	80 dB	80 dB
PLF-141	45 dB	65 db	80 dB	80 dB
PLF-142	30 dB	55 dB	80 dB	80 dB
PLF-143	22 dB	50 dB	75 dB	80 dB

SPECIFICATIONS



FUNCTIONAL DIAGRAM