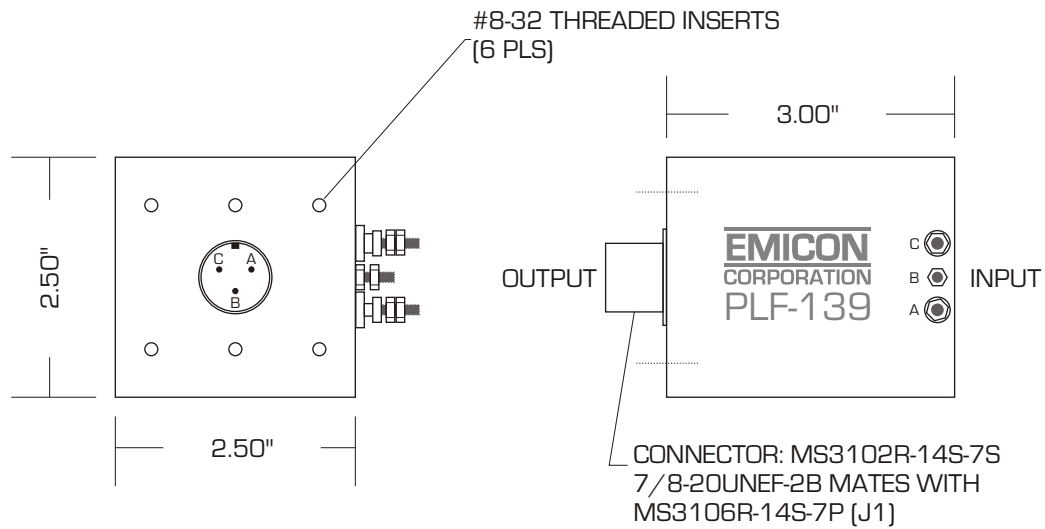


# PLF-139

## LOW LEAKAGE CURRENT POWER ENTRY MODULE

REV	DATE



OUTLINE DRAWING

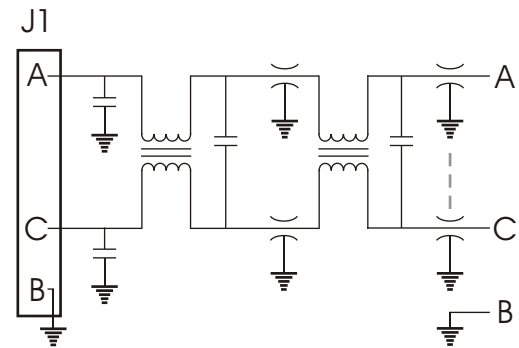
**EMICON P/N:** **PLF-139**

Line Voltage: 115 Vac  
 Line Frequency: 50-400 Hz  
 Line Current: 20 Amp max  
 Leakage Current: 5 mA @ 50 Hz  
 35 mA @ 400 Hz  
 Storage Temp: -55 to +71 °C  
 Operating Temp: -40 to +50 °C  
 Vibration: Designed to meet  
 Mil. Std. 202,201A  
 Shock: Designed to meet  
 Mil. Std. 202,201A

ATTENUATION *	
FREQUENCY	COMMON MODE
50 KHz	22 dB
100 KHz	50 dB
200 KHz	75 dB
500 KHz - 1GHz	80 dB

\*Minimum Insertion Loss in Accordance  
with MIL-STD-220

SPECIFICATIONS



FUNCTIONAL DIAGRAM