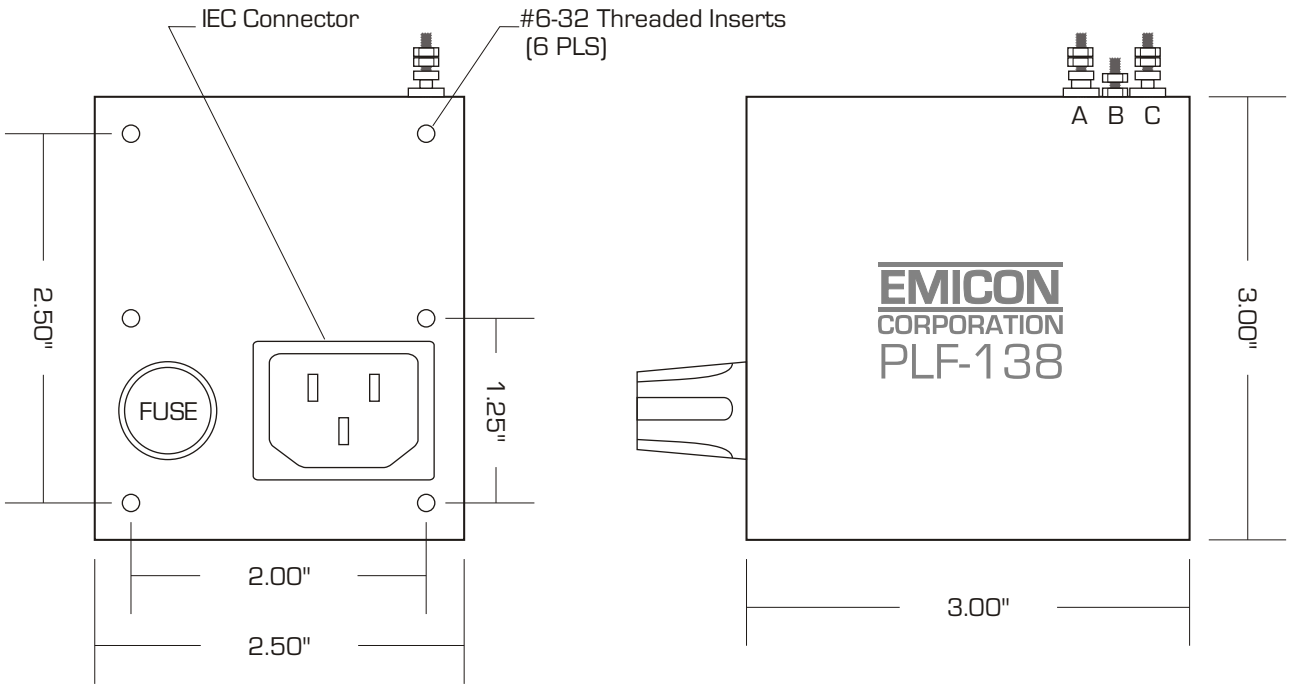


PLF-138

POWER ENTRY MODULE

REV	DATE	DESCRIPTION
A		



OUTLINE DRAWING

EMICON P/N: **PLF-138**

Line Current: 12 Amps Max

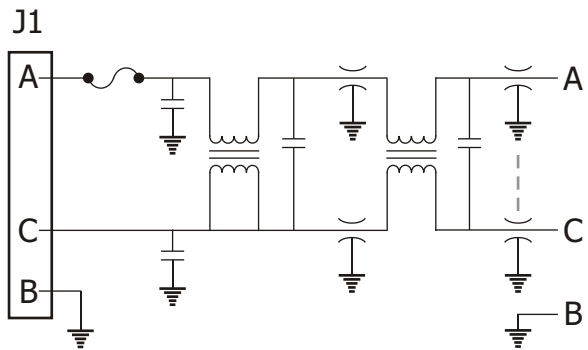
Line Voltage: 110/220 V_{AC}

Line Frequency: 50/60Hz

Leakage Current: 4 mA Max. @ 110 V
8 mA Max. @ 220 V

ATTENUATION		
FREQUENCY	COMMON	SINGLE ENDED
100 KHz	45 dB	65 dB
150 KHz	60 dB	75 dB
200 KHz	70 dB	80 dB
300 KHz - 1 GHz	80 dB	80 dB

SPECIFICATIONS



FUNCTIONAL DIAGRAM