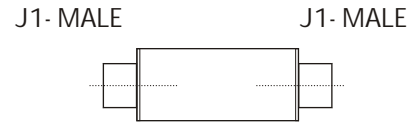
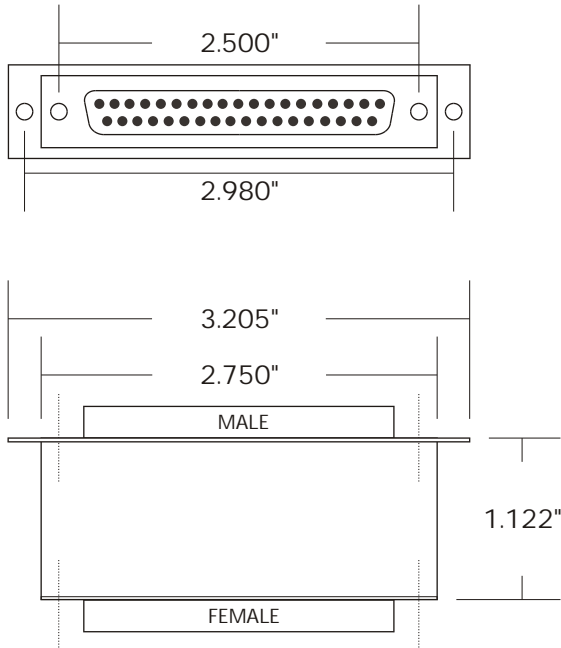


REV	DATE



OUTLINE DRAWING

CURRENT RATING: 2 Amps (DC and/or Audio Freq. RMS)
0.025 Amps Max RF

VOLTAGE RATING: +/- 200 V Peak Cont.

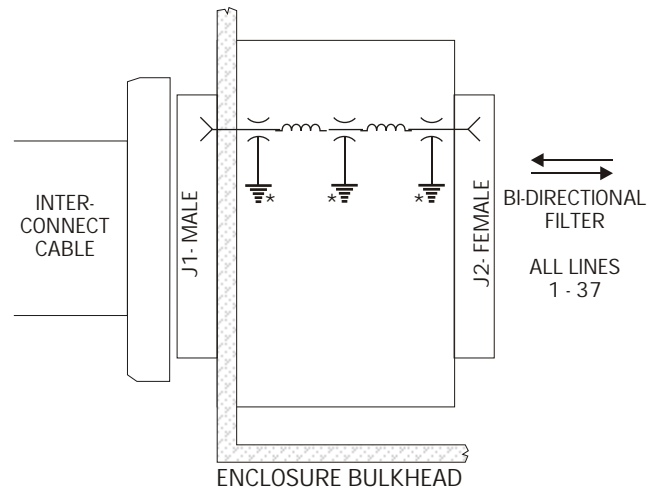
DIELECTRIC WITHSTANDING VOLTAGE: 500 V DC
(Tested 6 sec. max.)

OPERATING TEMPERATURE: -55 to +125 °C

GUARANTEED ATTENUATION	
Frequency	Typical
5 MHz	40 dB
10 MHz	60 dB
20 MHz	75 dB
50 MHz	93 dB
100 MHz to 1 GHz	95 dB

*IN 50 OHM SYSTEM

SPECIFICATIONS



*CHASSIS GROUND

FUNCTIONAL DIAGRAM