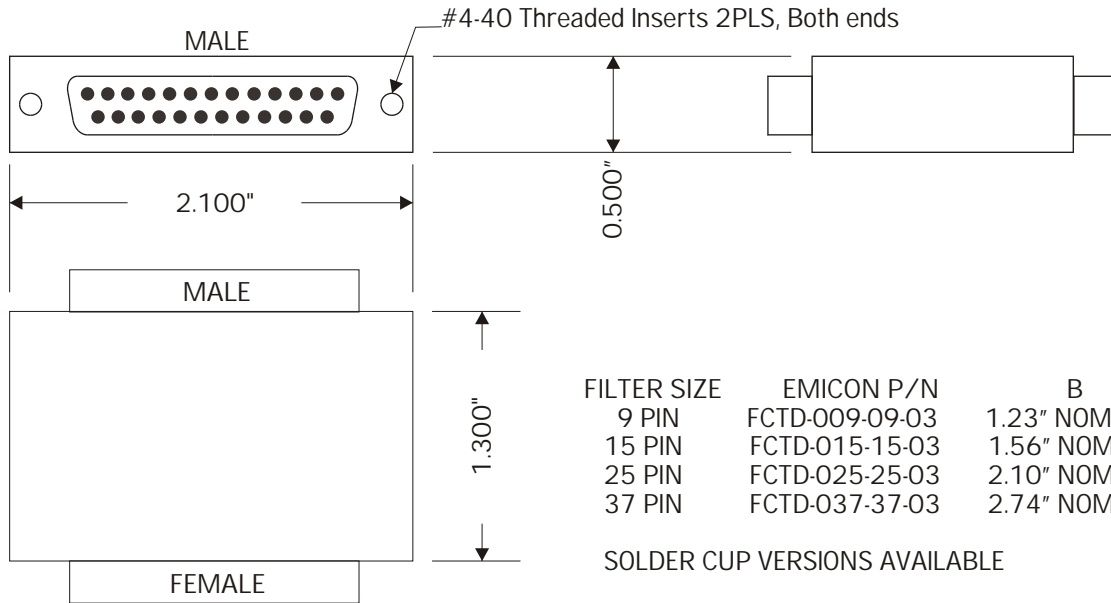


REV	DATE

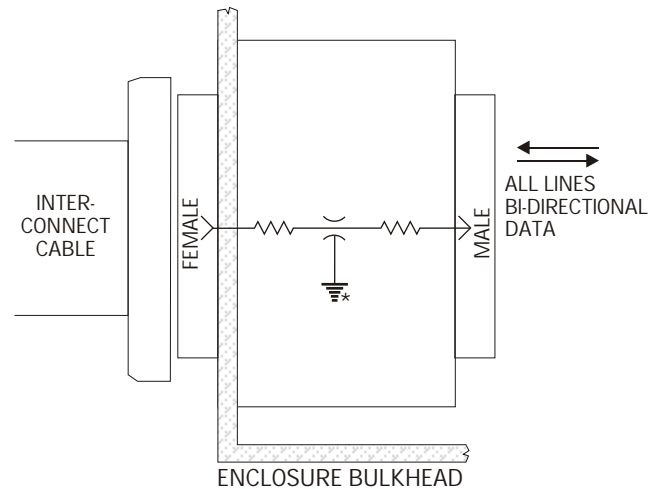


OUTLINE DRAWING

SIGNAL TYPES: RS-232
 BI-DIRECTIONAL: ALL LINES
 RISE TIME: 1.5 μ s MAX, 5 μ s TYPICAL WITH
 UP TO 1500 pF EXTERNAL CABLE
 CAPACITANCE PER LINE
 SOURCE IMPEDANCE: 300 TO 400 OHMS
 LOAD IMPEDANCE: 1K OHMS OR GREATER
 DATA RATES: DC TO 32Kbps
 SPURIOUS ATTENUATION: 55 dB FROM
 50 MHz TO 1GHz

ATTENUATION		
Frequency	Typical	Minimum
100 KHz	3 dB	
1 MHz	32 dB	20dB
10 MHz	50 dB	40 dB
100 MHz	70 dB	55 dB
200MHz to 1GHz	62 dB	55 dB

SPECIFICATIONS



FUNCTIONAL DIAGRAM