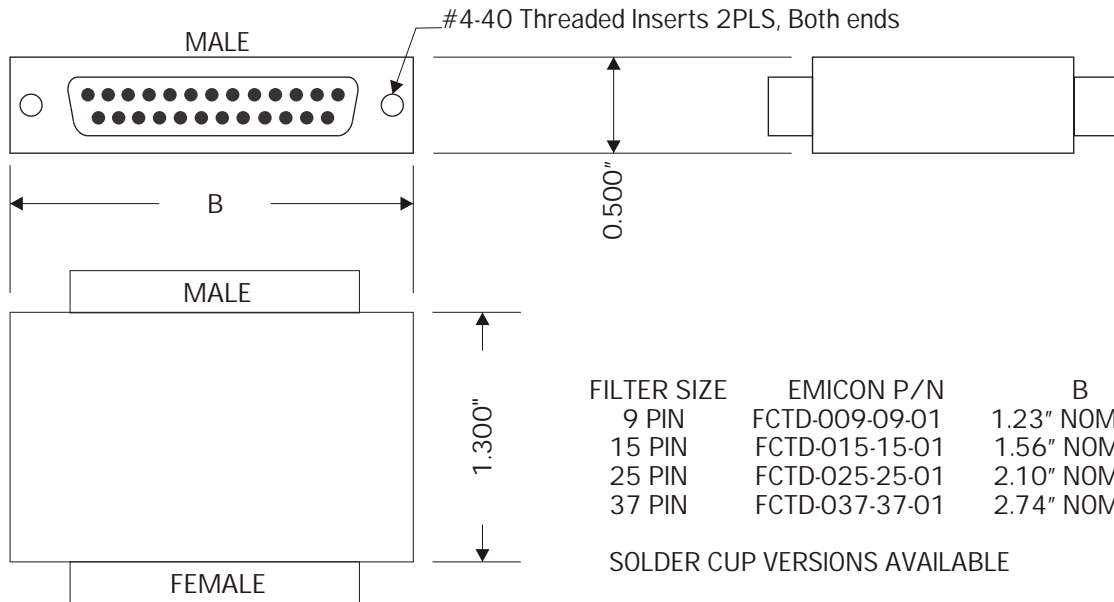


REV	DATE

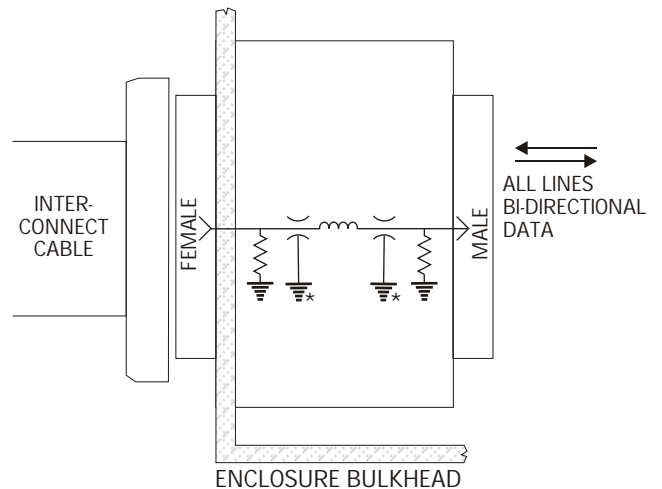


OUTLINE DRAWING

SIGNAL TYPES: MEDIUM SPEED RS-232
 BI-DIRECTIONAL: ALL LINES
 RISE TIME: 10 ms MAX, 5 μ s TYPICAL WITH UP TO 1500 pF EXTERNAL CABLE CAPACITANCE PER LINE
 UNDER SHOOT: 5% MAX
 OVER SHOOT: 10% MAX
 DATA RATES: DC TO 32Kbps
 LINE VOLTAGE: 15 V RMS MAX
 SPURIOUS ATTENUATION: 65 dB FROM 1 MHz TO 1 GHz

ATTENUATION		
Frequency	Typical	Minimum
10 KHz	1 dB	
100 KHz	22 dB	
1 MHz	70 dB	65 dB min.
10 MHz	76 dB	65 dB min.
100MHz to 1GHz	72 dB	65 dB min.

SPECIFICATIONS



*CHASSIS GROUND

PLEASE NOTE: SIGNAL GROUND VERSIONS AVAILABLE

FUNCTIONAL DIAGRAM